

电力柜门开关检测RFID温度测量传感器标签

Electric Cabinet Door Open Close Detective RFID Temperature Measurement Sensor Tag

Draft  
初稿

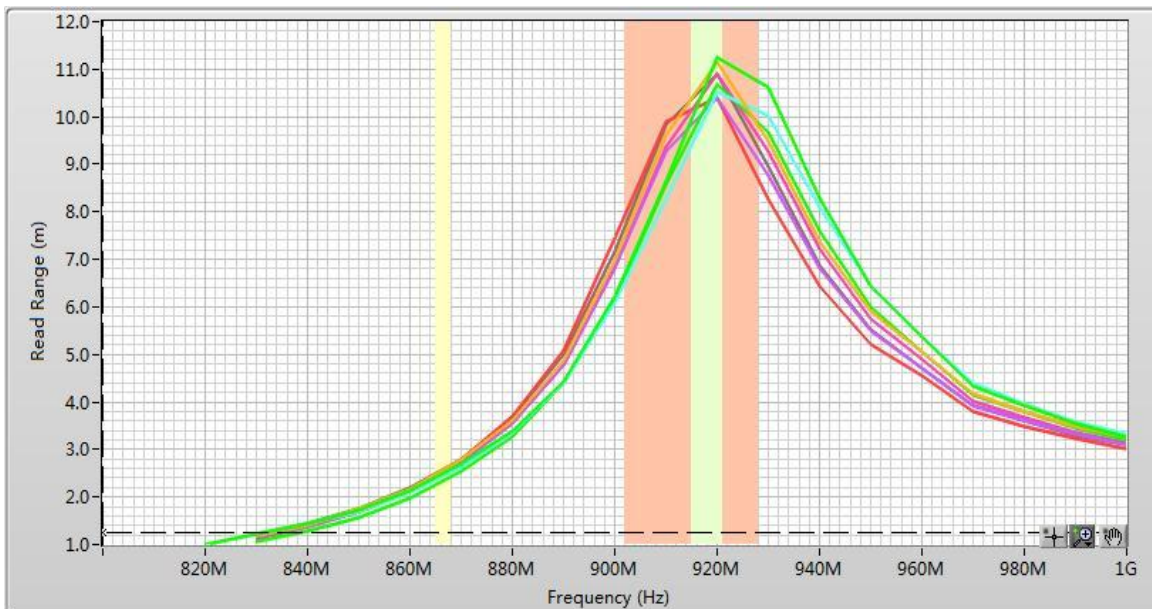


基本参数/Basic Parameters

尺寸/Size (L/OD x W/ID x H)	110*30*15mm(ID/OD: 圆形标签内径/外径, ID/OD: inner/outer diameter of round tags)
面材封装/Face Stock or Housing	塑料外壳/PC Housing
安装方法/Installation	胶粘+磁吸/Adhesive & Magnetic Install
天线工艺/Antenna Type	铜天线/Copper Antenna
技术/Technology	空间耦合技术/Air Space Reflection Solution
离型纸/Backing Liner	无/None
特征/Characters	抗金属(On Metal Use)/耐低温(Low Temperature Resist)/耐高温(High Temperature Resist)/温度测量(Temperature Sensor)/侦测(Detection Sensor)

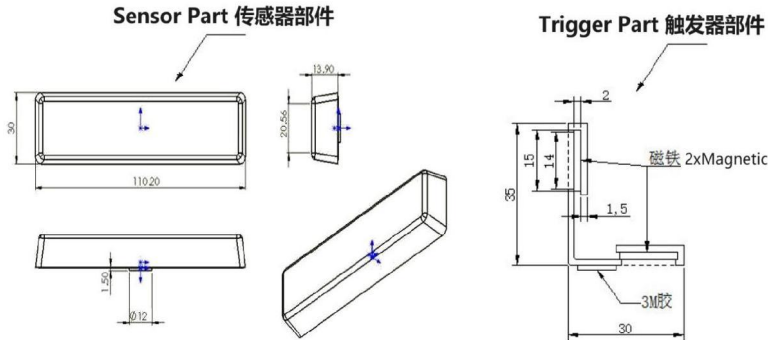
产品特性/Product Feature

芯片/Chip Model	CAB1/VBL7
协议/Protocol	ISO18000-6C GEN2 V2
频率范围/Operating Frequency	920.5-924.5Mhz
内存/Memory	TID/UID 112bit+ EPC/Block 192bit+ User File_0 with 512bit of data+ Reserve 112bit
读距/Reading Range	700cm (depends on reader)
应用介质/Applicable Surface	金属(On metal)
个性化选项/Option	定制彩色印刷条码文本或个性化编码 Custom color printing(Embossing or laser-engraving) with barcode or text & personalization encoding
附加说明/Additional	温度测量范围/Temperature Measure Range: -40℃ - 85℃, 测量精度/Temperature Accuracy: ±1℃ (Typical)



**供货方式/Delivery & Supply Format**

单片/单个/单张供货每袋 50-200片/张(特殊要求见附加说明) Supply in piece or sheet with 50-200pcs per box(Check Additional Note for your specific request)



**应用场景/Application**

工业测温及冷链管理标签主要应用于工业自动化、电力、农产品、生鲜、活体供应链，冷链，以集装箱，物流配送，快递运输为主要群体，等过程中的食品/药品/生鲜物品产品标识、温度检测，方便质量跟踪和溯源监管。Industrial Temperature Monitoring & Cold Chain Management tag is widely used for items identification in production, electric power supply and during the transportation, supply chain, Cold chain, Container, Logistics, cargo shipment, especially monitoring temperature control quality of food, medicine, pharmacy, fresh items in sight, outgoing quality management, source traceability & supervision management and so on.



**环境参数/Environmental Parameter**

数据保存/Data EEPROM Retention	10years
静电保护/ESD Limited Voltage	2KV
工作温度/Operating Temperature	-35°C - 85°C
储存温度/Storage Temperature	0°C - 25°C
操作湿度/Relative Humidity	10%-95%(Variant Performance)

**声明/STATEMENT**

上述数据是基于本公司对产品特性的一般了解，仅供一般信息参考。客户购买本产品时应在实际应用条件下测试结果来自行决定是否适用。英诺尔向购买者保证其产品在材料和工艺上没有不良。The above data is based on our company general understanding of the product attribute, is just for general reference. Buyer should evaluate product under the condition of practical application to decide whether it is suitable for your application. XMinnov guarantee their products to the buyers that there is no defect on product material and fabrication.

批准 Approved By: 林阿霞  
日期 Date: 2023/09/22

制作审核 Prepared & Checked By: 林阿霞  
日期 Date: 2023/09/22